

# CASS Suction Regulator

The clinical effort to reduce rates of ventilator-associated pneumonia include removal of subglottic secretions. Boehringer Laboratories, Inc. proudly introduces the only suction regulator specifically designed to aid in the efficient application of CASS, Model 3720.

This product was developed in response to the most commonly experienced challenges of continuous aspiration of subglottic secretions. The unique features of the Boehringer CASS Regulator effectively address these concerns.

The low levels of vacuum needed for CASS can leave suction lines prone to clogging over extended periods of patient intubation. Routine interventions that require opening the suction circuit not only create a vector for pathogens but also create additional disposable medical waste.

The CASS suction regulator from Boehringer not only provides precision low level suction, but also affords the caregiver the ability to apply a momentary suction pulse similar to that generated by a syringe.

## TWO REGULATORS IN ONE

Precision low level suction for safe continuous secretion removal.

Initiate a momentary suction pulse with the push of a button to remove tenacious secretions.

## LOW LEVEL SUCTION

- ◆ Oversized interior ports provide superior flow capability for more efficient secretion removal.
- ◆ Precise control of suction setting, even if the suction line is partially obstructed, reduces the risk of damage to delicate tracheal tissue.
- ◆ Easy to read patented gauge clearly identifies the proper setting for CASS (GREEN=GOOD)

## SUCTION LINE MAINTENANCE

The safety and accuracy of Boehringer CASS Regulator makes it the preferred product to utilize when performing CASS.

## 10 YEAR WARRANTY



## ORDERING INFORMATION

|            |                          |
|------------|--------------------------|
| Model 3720 | CASS Regulator 0-60 mmHg |
|------------|--------------------------|

# 3720 CASS SUCTION REGULATOR

## SPECIFICATIONS

### Materials of Construction

|                          |                   |
|--------------------------|-------------------|
| Body-                    | Anodized Aluminum |
| View Tube-               | Polycarbonate     |
| Piston and Pulse Button- | Acetal Copolymer  |
| Diaphragm-               | Silicon           |
| Hardware-                | Stainless Steel   |

**Gauge Accuracy** +/- 5% of F.S.

**Regulator Accuracy** +/-10% at 60 mm Hg from full flow to zero

### Cleaning

Mild labware detergents such as Liquinox. Do not use strong Alkali or base cleaning agents such as trisodium phosphate (TSP).

### Disinfection

Disinfection by EtO, Autoclave (250° F),  
Cidex methods

### Dimensions

Gauge only: 1.5" diameter x 4.5" long

Gauge and Regulator: (L x W x H) 4" x 2.5" x 6"

### Weight

Gauge and Regulator: 1.35 lbs.

### Inlet and Outlet Ports

1/8" NPT Female

### Disassembly

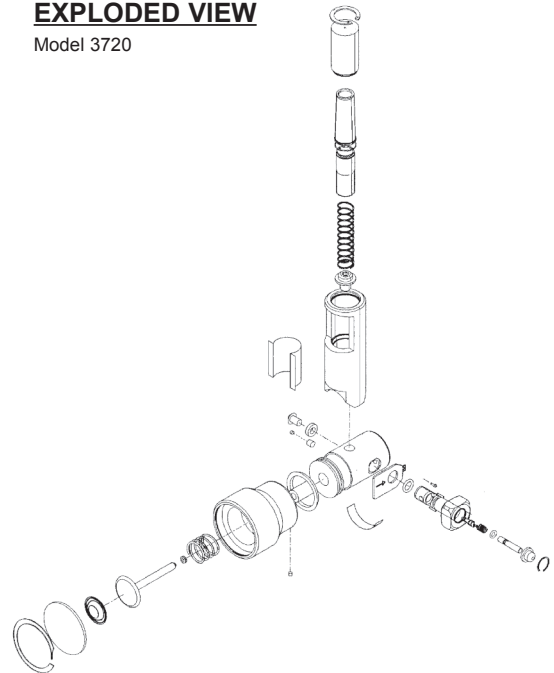
Gauge may be disassembled using conventional tools, i.e. retaining ring pliers, hex wrenches

### Product Life

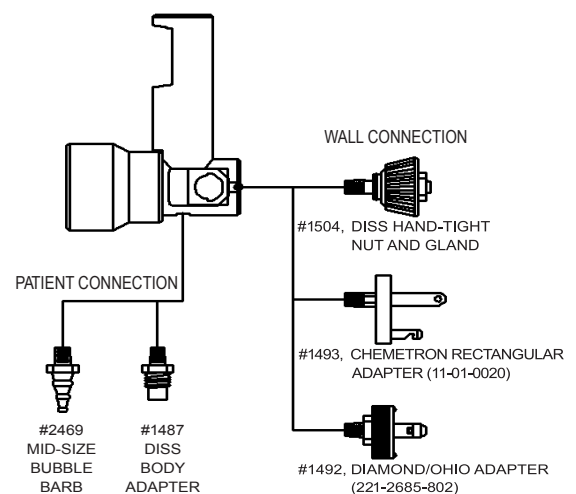
10 Year product life excepting conditions of abuse

## EXPLODED VIEW

Model 3720



## COMMON FITTINGS



For more information, please contact Boehringer at:

Boehringer Laboratories, Inc.  
500 E. Washington St.  
Norristown, PA 19401

Call: 800-642-4945  
610-278-0900  
Fax: 610-278-0907

Web site: [www.boehringerlabs.com](http://www.boehringerlabs.com)  
Email: [info@boehringerlabs.com](mailto:info@boehringerlabs.com)

DWG #0000.048 Rev A  
P/N 33819

2009 Boehringer Laboratories, Inc.©

**NOW AVAILABLE:  
THE THORACIC  
SUCTION REGULATOR!**

ASK YOUR SALES REPRESENTATIVE FOR  
DETAILS OR CALL US TODAY AT  
**1-800-642-4945**