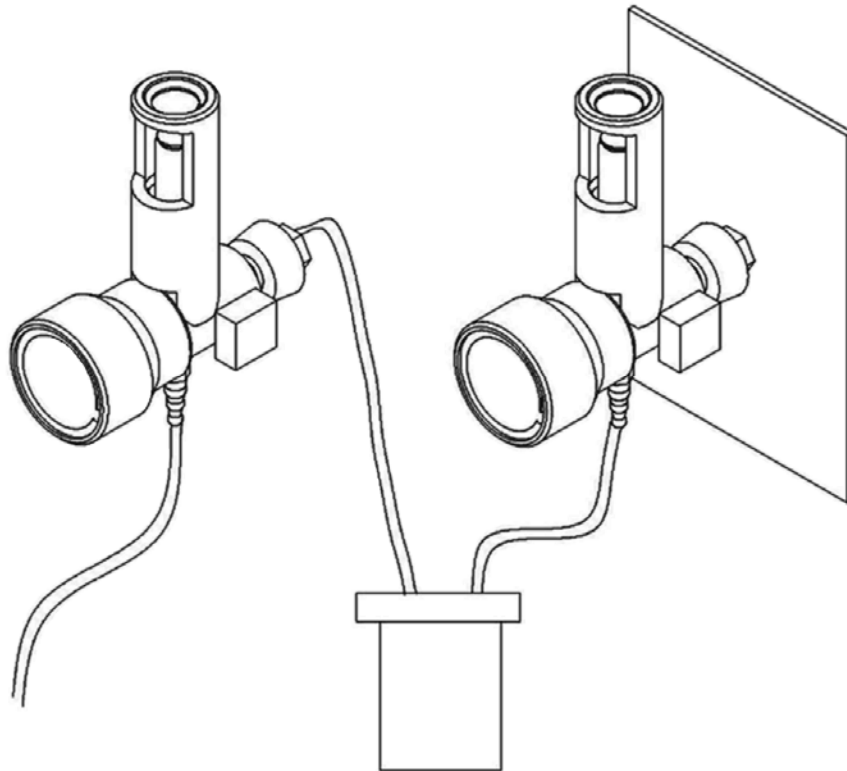


Back-flush Diagram For Regulator Cleaning

Unlike competitive models, Boehringer Suction Regulators may be back-flushed with disinfectant solution for regular cleaning when necessary.

Infiltrating fluids of any kind can permanently damage competitive models **and** void their warranty.

Because of the nature of their use, we know it is not unreasonable to expect that at some point fluid may accidentally enter the body of the suction regulator. The twelve year warranty of the Platinum Series regulators is **NOT** voided by any such accident!



Cleaning: The most significant cause of regulator failure is the lack of a comprehensive cleaning and maintenance program.

At any time, the assembled regulator may be rinsed by drawing a 5% Liqui-Nox®/water solution through it.

After flushing, aspirate air through the regulator for 1 minute, or until dry.